

# TORNADO

## FLEX - B10/118/15

### Code Breakdown

**B** = Heavy Mild Steel - Flex Knot

**10** = Number of line wires

**118** = Height in (cm)

**15** = Distance between verticals (cm)

### Selvedge Wire

4.00mm Hard - 695/850 N/mm<sup>2</sup>

### Line Wire

3.00mm Hard - 695/850 N/mm<sup>2</sup>

### Stay Wire

3.00mm Soft - 415/495 N/mm<sup>2</sup>

### Manufactured to

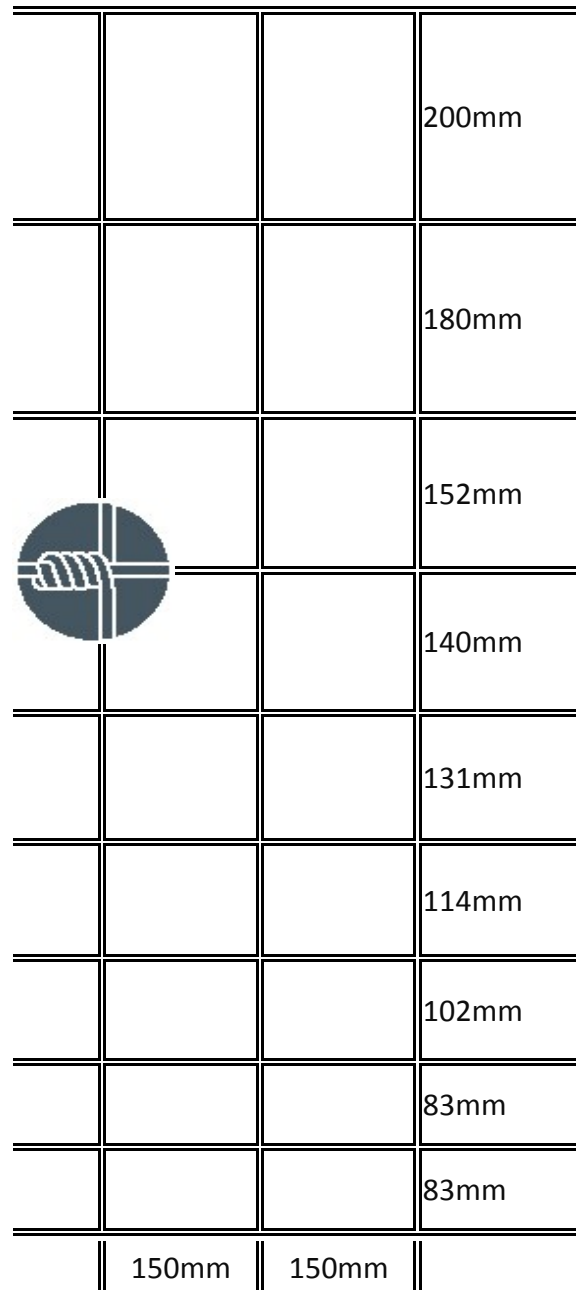
BS EN 10223


### Galvanised to

BS EN 10244 Class A

**Note:** Drawing not to scale

[www.tornadowire.com](http://www.tornadowire.com)



			200mm
			180mm
			152mm
			140mm
			131mm
			114mm
			102mm
			83mm
			83mm
	150mm	150mm	